



# Cambridge IGCSE™

CANDIDATE  
NAME

CENTRE  
NUMBER

--	--	--	--	--

CANDIDATE  
NUMBER

--	--	--	--



**PHYSICAL SCIENCE**

**0652/41**

Paper 4 Theory (Extended)

**October/November 2023**

**1 hour 15 minutes**

You must answer on the question paper.

No additional materials are needed.

## INSTRUCTIONS

- Answer **all** questions.
- Use a black or dark blue pen. You may use an HB pencil for any diagrams or graphs.
- Write your name, centre number and candidate number in the boxes at the top of the page.
- Write your answer to each question in the space provided.
- Do **not** use an erasable pen or correction fluid.
- Do **not** write on any bar codes.
- You may use a calculator.
- You should show all your working and use appropriate units.

## INFORMATION

- The total mark for this paper is 80.
- The number of marks for each question or part question is shown in brackets [ ].
- The Periodic Table is printed in the question paper.

This document has **24** pages. Any blank pages are indicated.

1 A list of processes is shown.

**cracking**                      **chromatography**                      **crystallisation**                      **diffusion**  
**fractional distillation**                      **galvanising**                      **neutralisation**  
**oxidation**                      **precipitation**                      **reduction**

Use the list of processes to answer the questions that follow.

Each process may be used once, more than once or not at all.

State the process that:

(a) prevents rusting

..... [1]

(b) produces an alkene and hydrogen

..... [1]

(c) forms a solid when two aqueous solutions are mixed

..... [1]

(d) takes place when oxygen is lost

..... [1]

(e) takes place when limestone is added to acidic soil

..... [1]

(f) is used to separate liquids with different boiling points.

..... [1]

[Total: 6]

- 2 (a) A student measures the diameter of a wire.

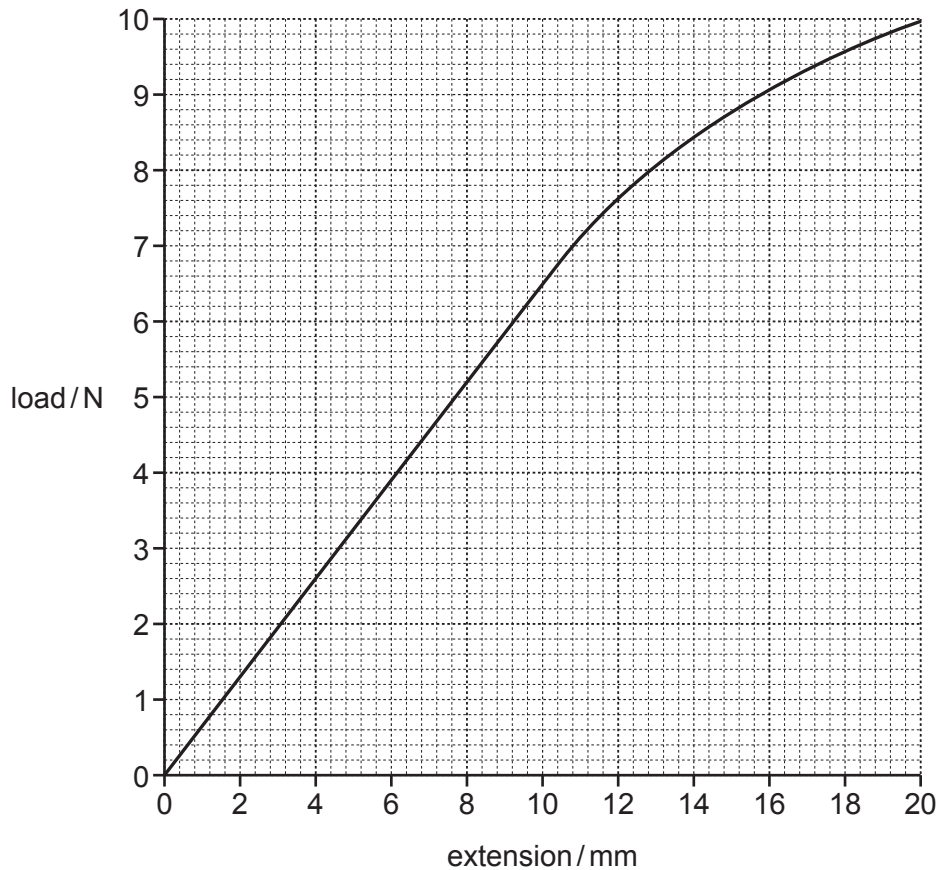
Name an instrument used to measure accurately the diameter of the wire.

..... [1]

- (b) The wire is wound into a spring.

The student investigates how the spring stretches when different loads are applied to it.

Fig. 2.1 shows a graph of the results of the investigation.



**Fig. 2.1**

- (i) On the graph in Fig. 2.1, mark the limit of proportionality with an **X**. [1]
- (ii) Use Fig. 2.1 to determine the spring constant of the spring and the unit.  
Show your working on the graph.

spring constant = ..... unit ..... [3]

- 3 (a) Melting points are used to assess the purity of substances.

State the effect impurities have on the melting point of a sample of a substance.

.....  
 ..... [1]

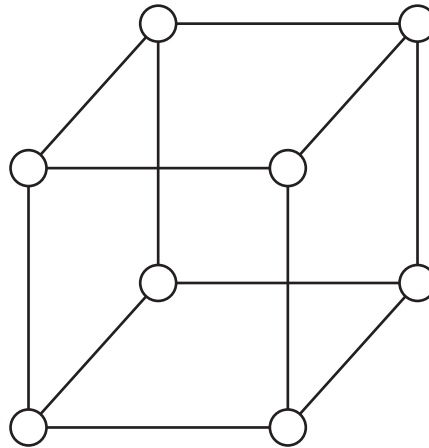
- (b) Sodium chloride is an ionic substance.

Fig. 3.1 represents part of the lattice structure of sodium chloride.

**Key**

⊕ ..... ion

⊖ ..... ion



**Fig. 3.1**

Complete:

- the key in Fig. 3.1 to give the name of the positive ion and the name of the negative ion
  - the diagram in Fig. 3.1 to show the arrangement of ions in sodium chloride.
- [2]

- (c) Chlorine is a simple covalent molecule.

The melting point of chlorine is  $-34\text{ }^{\circ}\text{C}$ . The melting point of sodium chloride is  $801\text{ }^{\circ}\text{C}$ .

Explain the difference between the melting point of chlorine and the melting point of sodium chloride.

.....  
 .....  
 .....  
 .....  
 .....  
 ..... [3]

[Total: 6]



- 4 (a) A ray of light is incident on the surface of a plane mirror as shown in Fig. 4.1.

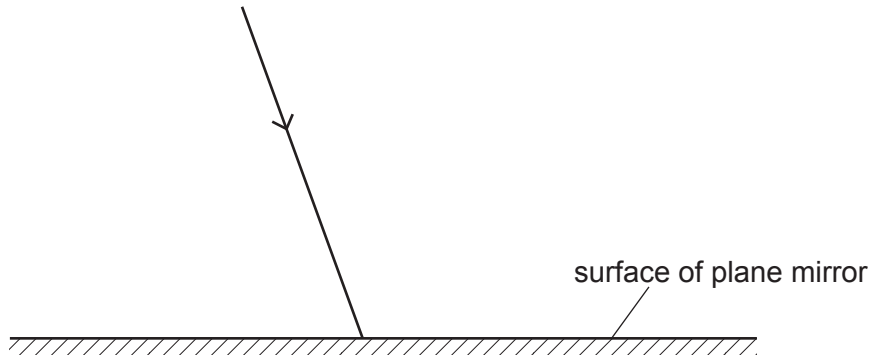


Fig. 4.1

On Fig. 4.1, draw and label:

- the normal to the point on the mirror where the ray is incident
- the reflected ray.

[2]

- (b) Fig. 4.2 shows a curved mirror used to make a solar cooker.

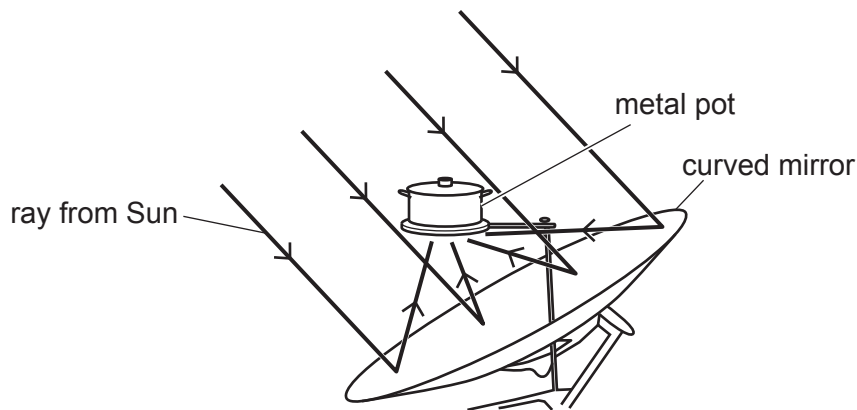


Fig. 4.2

The solar cooker uses electromagnetic radiation from the Sun to heat a metal pot containing water.

- (i) Name the **two** types of electromagnetic radiation which transfer thermal energy from the Sun to the metal pot.

..... and ..... [1]

- (ii) The metal pot is a good absorber of the radiation.

State **two** features of the surface of the metal pot that improve the absorption of radiation.

1 .....

2 .....

[2]

(iii) Thermal energy conducts through the metal pot to the water.

Describe in terms of particles how conduction takes place.

.....  
.....  
.....  
..... [2]

(iv) Water in contact with the metal pot becomes hot and rises, forming a convection current.

Explain why the hot water rises.

.....  
.....  
.....  
..... [2]

(v) The water in the metal pot boils. Many bubbles rise to the surface of the water.

Name the gas in the bubbles.

..... [1]

[Total: 10]

5 Ethanol is an alcohol.

(a) The equation for the formation of ethanol from ethene is shown.



(i) Complete the equation to show the state symbol for  $\text{H}_2\text{O}$  in this reaction. [1]

(ii) State the type of reaction shown by the equation.

..... [1]

(b) Ethanol is also formed by fermentation.

Describe the formation of ethanol by fermentation.

.....  
 .....  
 .....  
 ..... [3]

(c) Alcohol is used as a fuel instead of gasoline in some cars. Gasoline is obtained from a fossil fuel.

State **two** reasons why the combustion of fossil fuels needs to be reduced.

1 .....  
 .....  
 2 .....  
 ..... [2]

(d) Alcohols and alkenes are two different homologous series.

Describe what is meant by a homologous series.

.....  
 .....  
 ..... [2]

(e) Draw a circle around the name of the compound which is an alcohol.

naphtha

nonane

nonene

nonanol

[1]

[Total: 10]



**BLANK PAGE**

6 Fig. 6.1 shows an empty wheelbarrow.

A vertical force of 20 N is needed to just lift the wheelbarrow off the ground, as shown in Fig. 6.1.

The force is applied 0.80 m from the pivot.

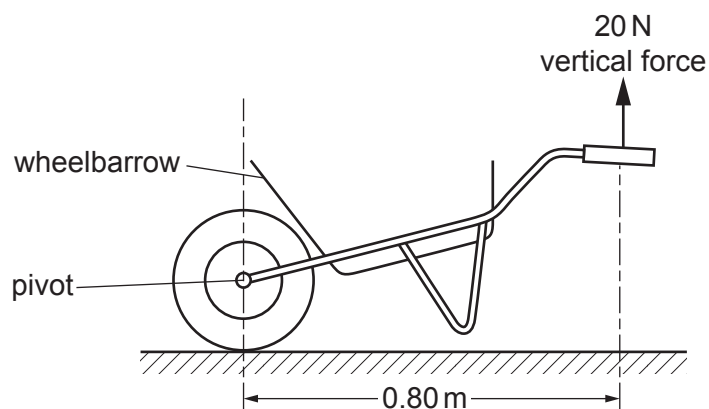


Fig. 6.1

(a) Determine the moment of the 20 N force about the pivot.

moment = ..... Nm [1]

(b) A rock is put into the wheelbarrow.

The mass of the rock is 15 kg. The weight of the rock acts at a perpendicular distance of 0.30 m from the pivot.

A new vertical force  $F$  is needed to just lift the wheelbarrow and rock off the ground, as shown in Fig. 6.2.

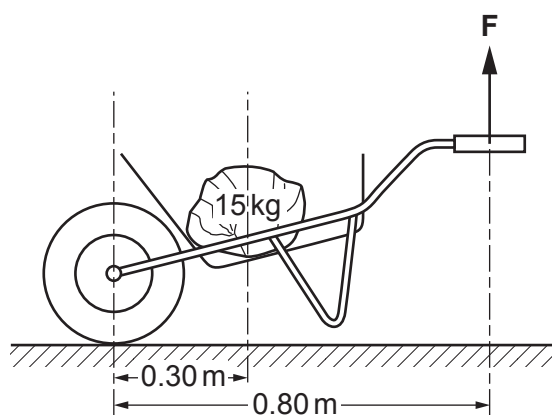


Fig. 6.2

- (i) Determine the moment of force **F** about the pivot.

Show your working.  
 [ $g = 10 \text{ N/kg}$ ]

moment = ..... Nm [3]

- (ii) Calculate the magnitude of force **F**.

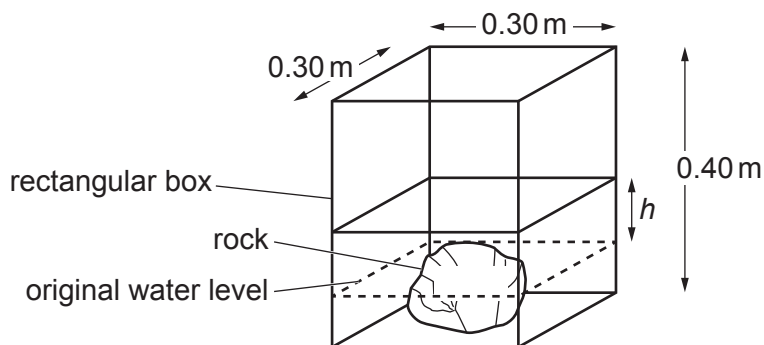
force **F** = ..... N [1]

- (c) (i) The density of the 15 kg rock is  $2500 \text{ kg/m}^3$ .

Calculate the volume of the rock.

volume of rock = .....  $\text{m}^3$  [1]

- (ii) Fig. 6.3 shows the same rock placed in a rectangular box which is partly filled with water. The sides of the box are 0.30 m. The height (depth) of the box is 0.40 m.



**Fig. 6.3** (not to scale)

The rock sinks. The water level rises a distance  $h$  and covers the rock completely.

Use your answer to (c)(i) to calculate the rise in the water level  $h$ .

Give your answer to **two** significant figures.

$h =$  ..... m [2]

[Total: 8]

**[Turn over**

7 Sodium is in Group I and magnesium is in Group II of the Periodic Table.

(a) Explain why sodium is more reactive than magnesium.

.....

.....

.....

..... [2]

(b) Magnesium reacts with hydrochloric acid,  $\text{HCl}$ , to form magnesium chloride,  $\text{MgCl}_2$ , and one other product.

Write the symbol equation for this reaction.

..... [2]

(c) Table 7.1 shows the observations when dilute hydrochloric acid reacts with four different metals.

**Table 7.1**

metal	observation
calcium	fast, regular production of bubbles
copper	no bubbles
iron	slow, regular production of bubbles
nickel	very few bubbles

Deduce the order of reactivity for the four metals from most reactive to least reactive.

most reactive .....

↓

.....

.....

.....

.....

least reactive .....

[2]

(d) Hydrochloric acid reacts with sodium carbonate to produce a gas, a salt and water.

(i) Describe a test for the gas produced and state the observation if the gas is present.

test .....

.....

observation .....

.....

[2]

(ii) State the name of the salt formed.

..... [1]

(e) Define an acid in terms of proton transfer.

..... [1]

[Total: 10]

- 8 Fig. 8.1 shows a cell, a resistor **R** and component **S** connected in series in an electrical circuit. The potential difference between points **A** and **B** is used to control an electrical heater. The e.m.f. of the cell is 1.2V.

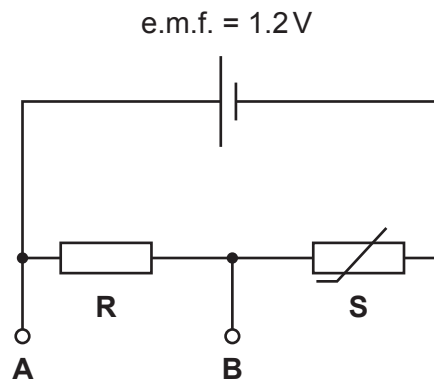


Fig. 8.1

- (a) State the name of component **S**.

..... [1]

- (b) (i) Component **S** has a resistance of  $200\ \Omega$ .

When the temperature is  $20\ ^\circ\text{C}$ , the current in **R** is  $0.0040\ \text{A}$ .

Calculate the resistance of resistor **R**.

resistance of **R** = .....  $\Omega$  [2]

- (ii) Calculate the potential difference between **A** and **B** when the temperature is  $20\ ^\circ\text{C}$ .

potential difference = ..... V [1]

- (c) The temperature decreases to  $18^{\circ}\text{C}$ .

The resistance of component **S** is now  $220\ \Omega$ .

Calculate the new potential difference between **A** and **B**.

potential difference = ..... V [3]

- (d) The heater switches on when the potential difference between **A** and **B** decreases below a certain level.

Suggest a component to replace resistor **R** that allows a user to adjust the temperature at which the heater switches on.

..... [1]

[Total: 8]

- 9 Aluminium,  $Al$ , is obtained from aluminium oxide,  $Al_2O_3$ .

The equation for the reaction is shown.



- (a) Calculate the mass of  $Al$  produced from 204 tonnes of  $Al_2O_3$ .

[ $A_r$ :  $Al$ , 27;  $O$ , 16; and 1 tonne = 1000 kg]

Use the following steps:

- Determine the relative molecular mass,  $M_r$ , of  $Al_2O_3$ .

$M_r = \dots\dots\dots$

- Use the equation for the reaction to determine the stoichiometric ratio of  $Al_2O_3 : Al$ .

ratio =  $\dots\dots\dots : \dots\dots\dots$

- Calculate the mass of  $Al$  produced from 204 tonnes of  $Al_2O_3$ .

mass of  $Al = \dots\dots\dots$  tonnes  
[3]

- (b) State which anion test uses reduction with aluminium.

$\dots\dots\dots$  [1]

- (c) State which property of aluminium makes it useful as a food container.

$\dots\dots\dots$  [1]

[Total: 5]



**BLANK PAGE**

10 Fig. 10.1 shows a circuit that produces a 220 V electrical supply from a car battery.

The circuit includes a step-up transformer.

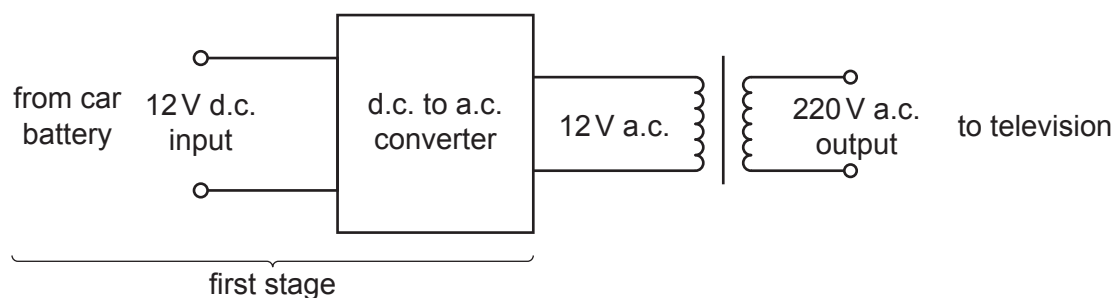


Fig. 10.1

(a) The transformer increases the voltage from 12 V to 220 V.

The primary coil contains 96 turns.

Calculate the number of turns in the secondary coil.

number of turns = ..... turns [2]

(b) The television is connected to the 220 V output of the transformer.

The current in the secondary coil is 0.15 A.

Calculate the current in the primary coil of the transformer.

current = ..... A [2]

- (c) The first stage of the circuit converts a direct current (d.c.) to an alternating current (a.c.).

Explain why a transformer needs a.c. to work.

.....  
.....  
.....  
..... [2]

- (d) (i) The current from the output to the television is much smaller than the current from the battery to the input.

The wires connecting the battery to the input are much thicker than the wires from the output to the television.

Explain why the wires from the battery are thicker.

.....  
.....  
.....  
..... [2]

- (ii) The circuit is not 100% efficient.

Explain what is meant by 'not 100% efficient'.

.....  
..... [1]

[Total: 9]

11 Copper has two stable isotopes,  $^{63}\text{Cu}$  and  $^{65}\text{Cu}$ .

(a) Define the term isotopes.

.....  
.....  
.....  
..... [2]

(b) Copper(II) nitrate contains  $\text{Cu}^{2+}$  and  $\text{NO}_3^-$  ions.

Determine the formula of copper(II) nitrate.

..... [1]

[Total: 3]





**BLANK PAGE**

---

Permission to reproduce items where third-party owned material protected by copyright is included has been sought and cleared where possible. Every reasonable effort has been made by the publisher (UCLES) to trace copyright holders, but if any items requiring clearance have unwittingly been included, the publisher will be pleased to make amends at the earliest possible opportunity.

To avoid the issue of disclosure of answer-related information to candidates, all copyright acknowledgements are reproduced online in the Cambridge Assessment International Education Copyright Acknowledgements Booklet. This is produced for each series of examinations and is freely available to download at [www.cambridgeinternational.org](http://www.cambridgeinternational.org) after the live examination series.

Cambridge Assessment International Education is part of Cambridge Assessment. Cambridge Assessment is the brand name of the University of Cambridge Local Examinations Syndicate (UCLES), which is a department of the University of Cambridge.

## The Periodic Table of Elements

Group																	
I	II	III	IV	V	VI	VII	VIII										
3 <b>Li</b> lithium 7	4 <b>Be</b> beryllium 9	1 <b>H</b> hydrogen 1	5 <b>B</b> boron 11	6 <b>C</b> carbon 12	7 <b>N</b> nitrogen 14	8 <b>O</b> oxygen 16	9 <b>F</b> fluorine 19	10 <b>Ne</b> neon 20									
11 <b>Na</b> sodium 23	12 <b>Mg</b> magnesium 24	<b>Key</b> atomic number atomic symbol name relative atomic mass		13 <b>Al</b> aluminium 27	14 <b>Si</b> silicon 28	15 <b>P</b> phosphorus 31	16 <b>S</b> sulfur 32	17 <b>Cl</b> chlorine 35.5	18 <b>Ar</b> argon 40								
19 <b>K</b> potassium 39	20 <b>Ca</b> calcium 40	21 <b>Sc</b> scandium 45	22 <b>Ti</b> titanium 48	23 <b>V</b> vanadium 51	24 <b>Cr</b> chromium 52	25 <b>Mn</b> manganese 55	26 <b>Fe</b> iron 56	27 <b>Co</b> cobalt 59	28 <b>Ni</b> nickel 59	29 <b>Cu</b> copper 64	30 <b>Zn</b> zinc 65	31 <b>Ga</b> gallium 70	32 <b>Ge</b> germanium 73	33 <b>As</b> arsenic 75	34 <b>Se</b> selenium 79	35 <b>Br</b> bromine 80	36 <b>Kr</b> krypton 84
37 <b>Rb</b> rubidium 85	38 <b>Sr</b> strontium 88	39 <b>Y</b> yttrium 89	40 <b>Zr</b> zirconium 91	41 <b>Nb</b> niobium 93	42 <b>Mo</b> molybdenum 96	43 <b>Tc</b> technetium —	44 <b>Ru</b> ruthenium 101	45 <b>Rh</b> rhodium 103	46 <b>Pd</b> palladium 106	47 <b>Ag</b> silver 108	48 <b>Cd</b> cadmium 112	49 <b>In</b> indium 115	50 <b>Sn</b> tin 119	51 <b>Sb</b> antimony 122	52 <b>Te</b> tellurium 128	53 <b>I</b> iodine 127	54 <b>Xe</b> xenon 131
55 <b>Cs</b> caesium 133	56 <b>Ba</b> barium 137	57–71 lanthanoids	72 <b>Hf</b> hafnium 178	73 <b>Ta</b> tantalum 181	74 <b>W</b> tungsten 184	75 <b>Re</b> rhenium 186	76 <b>Os</b> osmium 190	77 <b>Ir</b> iridium 192	78 <b>Pt</b> platinum 195	79 <b>Au</b> gold 197	80 <b>Hg</b> mercury 201	81 <b>Tl</b> thallium 204	82 <b>Pb</b> lead 207	83 <b>Bi</b> bismuth 209	84 <b>Po</b> polonium —	85 <b>At</b> astatine —	86 <b>Rn</b> radon —
87 <b>Fr</b> francium —	88 <b>Ra</b> radium —	89–103 actinoids	104 <b>Rf</b> rutherfordium —	105 <b>Db</b> dubnium —	106 <b>Sg</b> seaborgium —	107 <b>Bh</b> bohrium —	108 <b>Hs</b> hassium —	109 <b>Mt</b> meitnerium —	110 <b>Ds</b> darmstadtium —	111 <b>Rg</b> roentgenium —	112 <b>Cn</b> copernicium —	114 <b>Fl</b> flerovium —	116 <b>Lv</b> livermorium —	—	—	—	—

lanthanoids

actinoids

57 <b>La</b> lanthanum 139	58 <b>Ce</b> cerium 140	59 <b>Pr</b> praseodymium 141	60 <b>Nd</b> neodymium 144	61 <b>Pm</b> promethium —	62 <b>Sm</b> samarium 150	63 <b>Eu</b> europium 152	64 <b>Gd</b> gadolinium 157	65 <b>Tb</b> terbium 159	66 <b>Dy</b> dysprosium 163	67 <b>Ho</b> holmium 165	68 <b>Er</b> erbium 167	69 <b>Tm</b> thulium 169	70 <b>Yb</b> ytterbium 173	71 <b>Lu</b> lutetium 175
89 <b>Ac</b> actinium	90 <b>Th</b> thorium 232	91 <b>Pa</b> protactinium 231	92 <b>U</b> uranium 238	93 <b>Np</b> neptunium —	94 <b>Pu</b> plutonium —	95 <b>Am</b> americium —	96 <b>Cm</b> curium —	97 <b>Bk</b> berkelium —	98 <b>Cf</b> californium —	99 <b>Es</b> einsteinium —	100 <b>Fm</b> fermium —	101 <b>Md</b> mendelevium —	102 <b>No</b> nobelium —	103 <b>Lr</b> lawrencium —

The volume of one mole of any gas is 24 dm<sup>3</sup> at room temperature and pressure (r.t.p.).